

Proportional valves pilot operated poppet type,  
 2-way flow regulator not compensated  
 Common cavity, Size 12

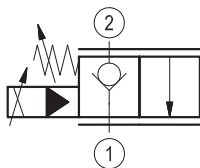
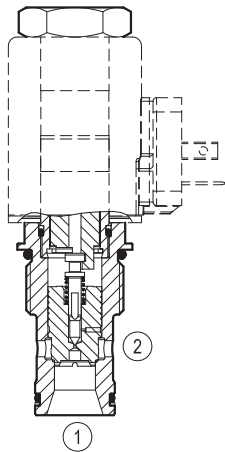
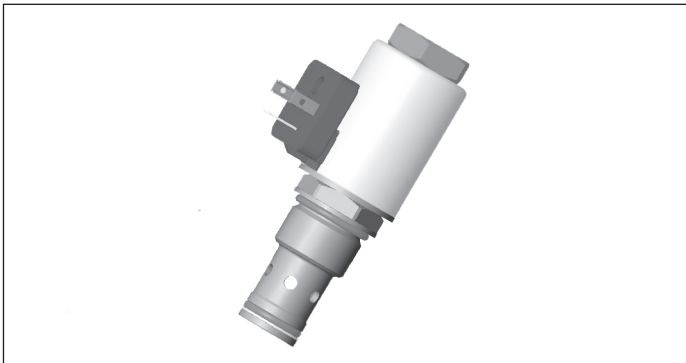
KSVS.2

KSVSR2AA / F - Y - V

**RE 18323-74**

Edition: 09.2017

Replaces: 01.2017

**Technical data**

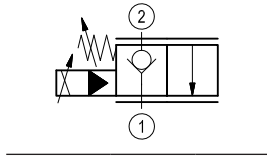
<b>General</b>	
Weight	0.60 kg (1.3 lbs)
Installation position	Any
Ambient temperature range	-20 to 120 °C (-4 to 248 °F)
Salt spray test to DIN 50021	720 h
<b>Hydraulic</b>	
Max. operating pressure port 1, 2	350 bar (5075 psi)
Maximum $\Delta p$	350 bar (5075 psi) (250 bar (3625 psi) for optimal metering and flow capacity)
Nominal flow	85 l/min. at 14 bar $\Delta p$ (22 gpm at 200 psi $\Delta p$ )
Hysteresis	Less than 7% up to 90% of I-MAX. Less than 10% above 90% of I-MAX.
Recommended dither frequency (PWM)	100 Hz
Max. internal leakage	10 drops/min. (at $\Delta p=150$ bar; HLP46, $T_{oil} = 40^\circ\text{C}$ )
Fluid temperature range	-20 to 80 °C (-4 to 176 °F)
Fluids: Mineral-based or synthetics with lubricating properties at viscosities of 15 to 380 mm <sup>2</sup> /s (cSt)	
Recommended degree of fluid contamination	(NAS 8) / ISO 4406 19/17/14
Cavity	CA-12A-2N see 18325-70
Load cycles	2 Mio.
<b>Spare parts</b>	
Cavity seal kit	material no. R961011031
Coil nut	material no. R901440340
Spacer ring	material no. R901168656
<b>Electrical</b>	
Type of voltage	DC voltage
Coil type	GP37 see 18325-90

Note: coils must be ordered separately.

**Ordering code**

<b>KSVSR2</b>	<b>A</b>	<b>A/</b>	<b>F</b>	<b>Y</b>	<b>V</b>
---------------	----------	-----------	----------	----------	----------

Proportional valves pilot operated poppet type  
2-way flow regulator not compensated



Common cavity; CA-12A-2N

without manual override **N0**  
with manual override **N11**

Seal material: FKM seals

Further types available by request

**Preferred types**

Type	Material number
KSVSR2AA/FN0V	R901392636
KSVSR2AA/FN11V	R901392637

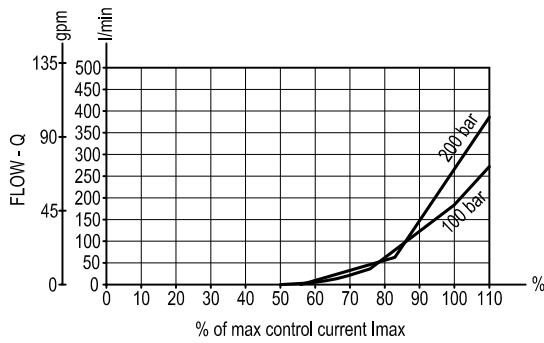
Type	Material number

**Characteristic curves**

**Compensated flow vs % of control current**

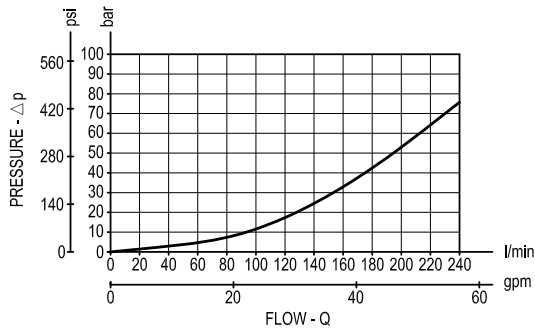


**Non compensated flow vs % of control current**

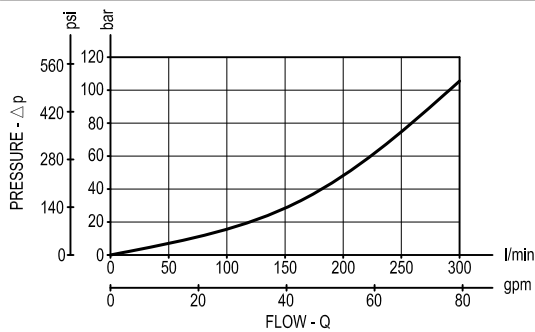


Above 250 bar (3625 psi) delta p the opening point will occur at higher current and flow capacity will be reduced.

**Delta p 2 to 1 at 110% of I\_max control current**

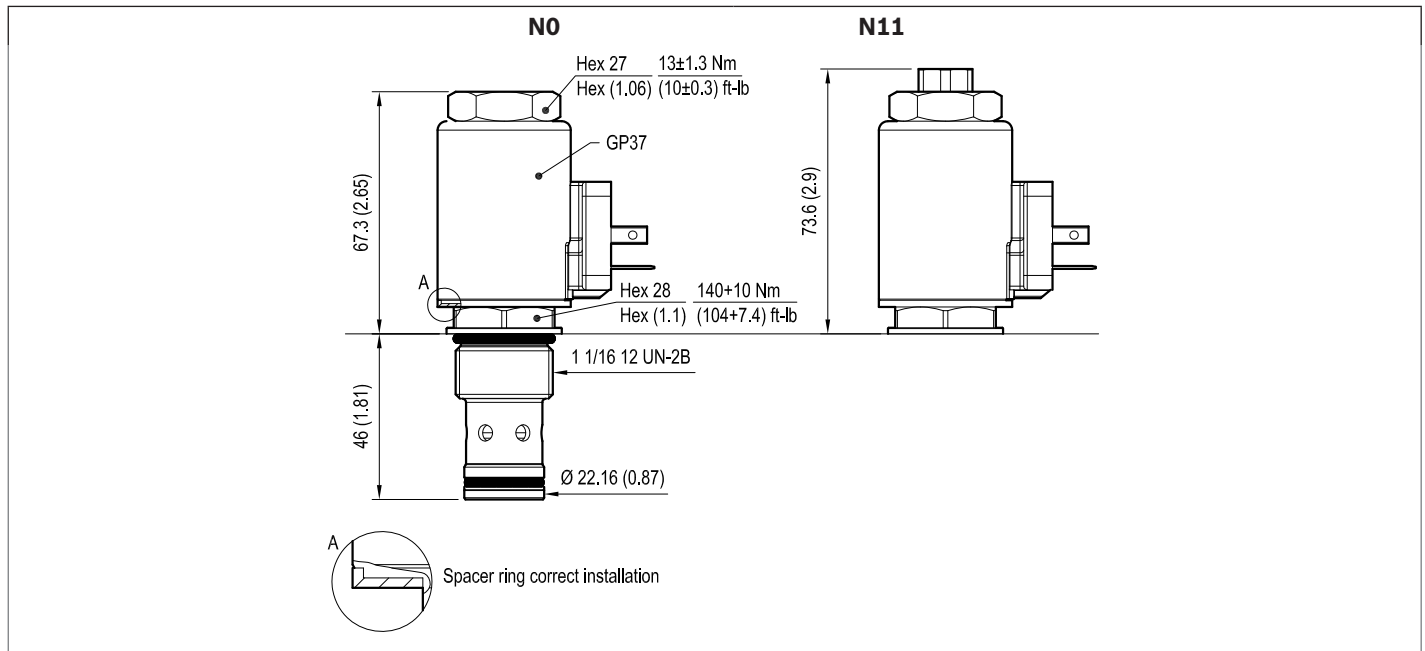


**Delta p 1 to 2**



**Dimensions**

▼ **Proportional valves pilot operated poppet type  
2-way flow regulator not compensated**



**Bosch Rexroth Oil Control S.p.A.**

Via Leonardo da Vinci 5  
 P.O. Box no. 5  
 41015 Nonantola – Modena, Italy  
 Tel. +39 059 887 611  
 Fax +39 059 547 848  
 compact-hydraulics-cv@boschrexroth.com  
 www.boschrexroth.com/compacthydraulics

© This document, as well as the data, specifications and other information set forth in it, are the exclusive property of Bosch Rexroth Oil Control S.p.a.. It may not be reproduced or given to third parties without its consent. The data specified above only serve to describe the product. No statements concerning a certain condition or suitability for a certain application can be derived from our information. The information given does not release the user from the obligation of own judgment and verification. It must be remembered that our products are subject to a natural process of wear and aging. Subject to change.